

Standard Duty Emergency Stops Type: ES-P & ES-SS (3 pole)



DESCRIPTION & FEATURES:

IDEM ES-P and ES-SS Standard Duty Emergency Stop Switches have been designed to provide robust emergency stop protection for machines or exposed conveyors and are suitable for use within virtually all industry sectors.

- Plastic bodies (IP67) or Stainless Steel 316 (IP69K).
- Conformance to ISO13850, EN60947-5-1 and EN60947-5-5.
- A special lid safety trip mechanism means that the safety contacts will open if the lid is removed - this provides an extra degree of anti-tamper.
- Button protection shroud versions with padlock holes to enable "Lock Off" in maintenance situations.
- 3 pole contact blocks provide positively operated switch contacts.



TYPE: ES-P (Plastic)
Knock out for plastic version



TYPE: ES-SS
Stainless Steel 316



TYPE: ES-SS(P) Stainless Steel 316
with button protection shroud
and padlock holes

SALES NUMBER	TYPE	CONDUIT ENTRY	CONTACTS
230001	ES-P	Knockout M20 / 1/2"NPT	2NC 1NO
230002	ES-P	Knockout M20 / 1/2"NPT	3NC

SALES NUMBER	TYPE	CONDUIT ENTRY	CONTACTS
231001	ES-SS	M20	2NC 1NO
231002	ES-SS	1/2"NPT	2NC 1NO
231003	ES-SS	M20	3NC
231004	ES-SS	1/2"NPT	3NC

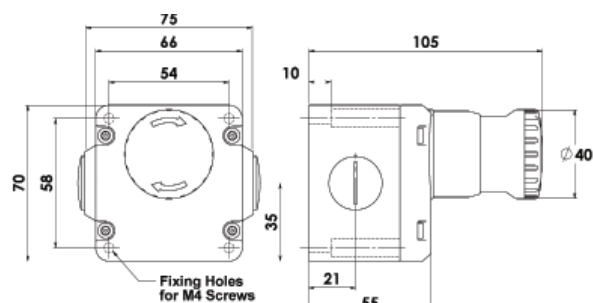
Replacement Lid quote Sales Number: 231100

SALES NUMBER	TYPE	CONDUIT ENTRY	CONTACTS
231005	ES-SS(P)	M20	2NC 1NO
231006	ES-SS(P)	1/2"NPT	2NC 1NO
231007	ES-SS(P)	M20	3NC
231008	ES-SS(P)	1/2"NPT	3NC

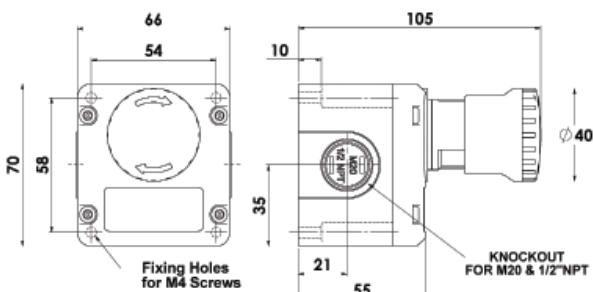
Replacement Lid quote Sales Number: 231101

Gold Plated Contacts available for low power circuits (5V 5mA). Ordering: Add GC to Part Number e.g. 230001-GC

DIMENSIONS:



TYPE: ES-SS (STAINLESS STEEL 316)



TYPE: ES-P (PLASTIC)

S/STEEL 316 GLAND	SALES NUMBER
M20	140120
1/2" NPT	140121



IDEM recommend using our Stainless Steel 316 Gland with this switch.

Standards: EN60947-5-1 EN60947-5-5 EN62061
UL508 ISO13850 ISO13849-1

Safety Classification and Reliability Data:

Mechanical Reliability B10d	1.5 x 10 ⁸ operations at 100mA load
ISO13849-1	Up to PLe depending upon system architecture
EN62061	Up to SIL3 depending upon system architecture
Safety Data – Annual Usage	8 cycles per hour/24 hours per day/365 days
	MTTFd 214 years
Enclosure/Cover Material	Polyester/Stainless Steel 316
IP Rating	IP69K - Stainless Steel 316 IP67 - Plastic
Mounting	4 x M4
Mounting Position	Any
Conduit Entries	2 x M20 or 2 x 1/2" NPT (by Sales Number)
	Knock out for Plastic version (ES-P)
Tongue Settings	Mounting M4 4.0Nm Lid T20 Torx M4 1.5Nm Terminals 1.0Nm
Ambient Temperature	-25C +80C
Vibration Resistance	10-500Hz 0.35mm
Shock Resistance	11ms 15g
Weight	295g to 1000g
Contact Type	EN60947-5-1 double break type Zb Snap Action up to 3NC (positive break) 1NO (Auxiliary)

Contact Material	Silver
Termination	Clamp up to 2.5mm ² conductors
Rating	Utilisation category AC15
Operational Rating	240V 3A
Thermal Current (Ith)	10A
Rated Insulation Voltage (U)	500V
Withstand Voltage (Uimp)	2500V
Short Circuit Overload Protection	Fuse externally 10A(FF)