

HYGIEMAG – Magnetic Non Contact – Type WMR



Magnetic Actuation - Power series Heavy Duty 230V.ac 2.0A. / 24V.dc 2.0A. IP69K

Switching Tolerance up to 14mm Temperatures up to 105C. Stainless Steel 316 housing

Specifically designed for Food Processing applications – Stainless Steel 316 Mirror finish.

Suitable for CIP cleaning

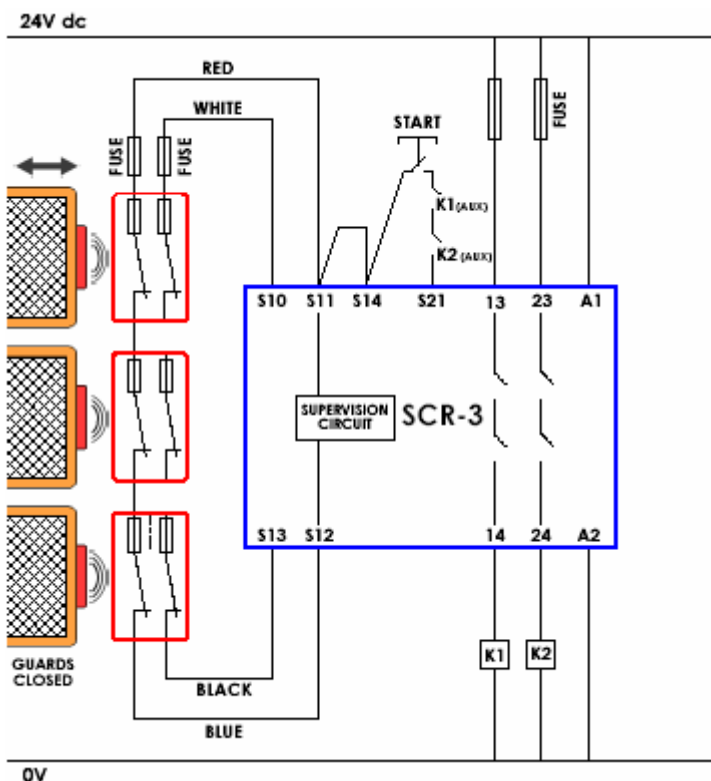
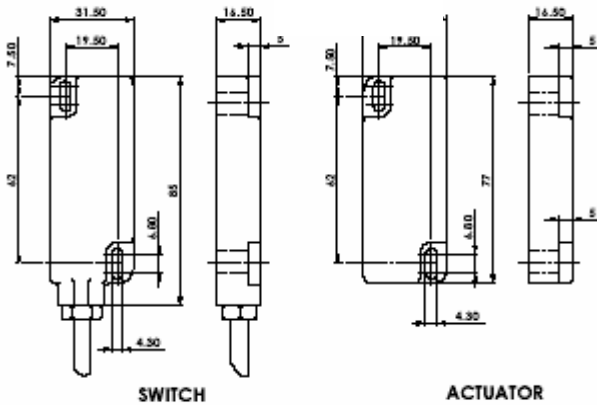
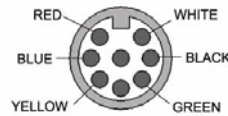
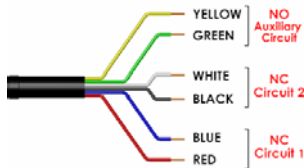
Industry standard fixings – can be high pressure hosed at high temperature – IP69K.

Wide 14mm sensing high tolerance to misalignment.

High switching capability - Heavy Duty 2A.

Up to: PLe ISO 13849-1 SIL 3 EN 62061 Cat.4 EN 954-1

New



Three switches connected in series to an SCR-2 or SCR-3 to give Dual Channel Guard monitoring but with monitored manual start and contactor feedback check.

- Standards EN1088 IEC 947-5-3 EN 60204-1 ISO 13849-1 EN 954-1 UL508
- Safety Classification and Reliability Data:
- Mechanical Reliability B10d > 3.3 x 10⁶ operations at 100mA load
 - EN 954-1 up to Category 4 with Safety Relay
 - ISO 13849-1 up to PLe depending upon system architecture
 - EN 62061 up to SIL3 depending upon system architecture
 - Safety Data - Annual Usage 8 cycles per hour / 24 hours per day / 365 days
 - PFHd > 2.52 x 10⁻⁸
 - Proof Test Interval (Life) 47 years
 - MTTFd 470 years
 - Safety Channel 1 NC Voltage free : 250V.ac 2.0 A Max. Rating
 - Safety Channel 2 NC Voltage free : 250V.ac 2.0 A Max. Rating
 - Safety Channel 3 NO Voltage free : 24V.dc 0.2 A Max. Rating
 - Fuse Internal 2.0 A. (F) External 1.6A (F)
 - Contact release time <2ms
 - Initial contact resistance <500 milliohm
 - Minimum switched current 10V. dc 1mA
 - Dielectric withstand 250V.ac
 - Insulation Resistance 100 Mohms
 - Recommended setting gap 5mm
 - Switching Distance: Sao 12mm Close
(Target to target) Sar 22mm Open
 - Tolerance to misalignment 5mm in any direction from 5mm setting gap
 - Switching frequency 1.0 Hz maximum
 - Approach speed 200mm/m. to 1000mm/s.
 - Body Material Stainless Steel 316 Mirror finish
 - Temperature Range -25 / 105C.
 - Enclosure Protection IP69K IP67
 - Shock Resistance IEC 68-2-27 11ms 30g
 - Vibration Resistance IEC 68-2-6 10-55 Hz. 1mm
 - Cable Type PVC 6 or 8 core 6mm O.D.
 - Mounting Bolts 2 x M4 Tightening torque 1.0 Nm
 - Mounting Position Any

Sales Number	Type	Cable Length	Circuits
136001	Hygiemag WMR	2M	2NC
136002	Hygiemag WMR	5M	2NC
136003	Hygiemag WMR	10M	2NC
136004	Hygiemag WMR	QC-M12	2NC
136005	Hygiemag WMR	2M	2NC 1NO
136006	Hygiemag WMR	5M	2NC 1NO
136007	Hygiemag WMR	10M	2NC 1NO
136008	Hygiemag WMR	QC-M12	2NC 1NO
136009	Hygiemag WMR	2M	1NC 1NO
136010	Hygiemag WMR	5M	1NC 1NO
136011	Hygiemag WMR	10M	1NC 1NO
136012	Hygiemag WMR	QC-M12	1NC 1NO