

HYGIECODE – Coded Non Contact – Type SMC-F

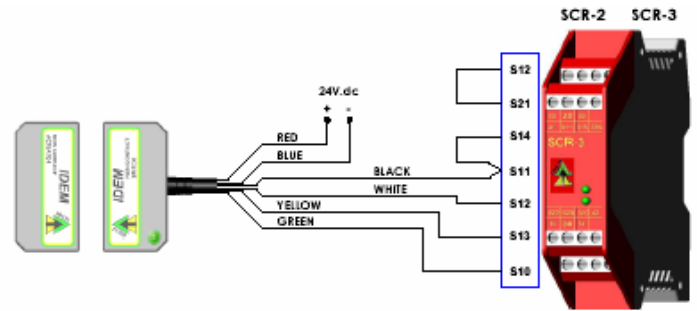
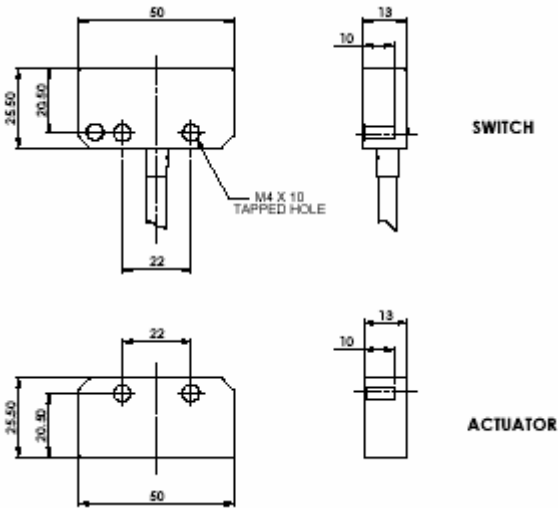


Coded Magnetic Actuation **Switching Tolerance up to 14mm** **Temperatures up to 105C.**
Stainless Steel 316 housing **IP69K** **No Food Trap Housing – Rear Mounting Holes**

Specifically designed for Food Processing applications – Stainless Steel 316 Mirror finish
 Suitable for CIP and SIP cleaning - mounting holes are at the rear – no food traps
 Universal housing - 22mm fixing hole centre - 50mm wide body
 Can be high pressure hosed at high temperature – IP69K
 Wide 14mm sensing high tolerance to misalignment.
 LED indication
 Up to: PLe ISO 13849-1 SIL 3 EN 62061 Cat.4 EN 954-1
 2NC 1NO circuits - High switching life – no moving parts



Application example – coded switches

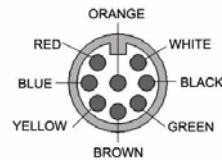


One switch connected to an SCR-2 or SCR-3 to give Dual Channel monitoring with auto start and contactor feedback check.

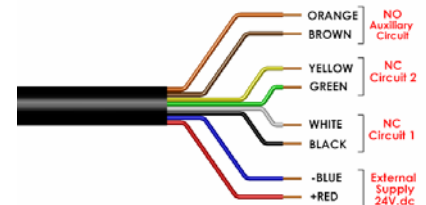
Standards EN1088 IEC 947-5-3 EN 60204-1
 ISO 13849-1 EN 954-1 UL508

Safety Classification and Reliability Data:

Switching Reliability	> 3.3 x 10 ⁶ operations at 100mA load up to Category 4 with Safety Relay up to PLe depending upon system architecture up to SIL3 depending upon system architecture
Safety Data - Annual Usage	8 cycles per hour / 24 hours per day / 365 days
PFHd	> 2.52 x 10 ⁻⁸
Proof Test Interval (Life)	47 years
MTTFd	470 years
Safety Channel 1	NC 24V.dc 0.2 A Max. Rating
Safety Channel 2	NC 24V.dc 0.2 A Max. Rating
Safety Channel 3	NO 24V.dc 0.2 A Max. Rating
Minimum switched current	10V. dc 1mA
Dielectric withstand	250V.ac
Insulation Resistance	100 Mohms
Recommended setting gap	5mm
Switching Distance:	Sao 10mm Close
(Target to target)	Sar 20mm Open
Tolerance to misalignment	5mm in any direction from 5mm setting gap
Switching frequency	1.0 Hz maximum
Approach speed	200mm/m. to 1000mm/s.
Body Material	Stainless Steel 316 Mirror finish
Temperature Range	-25 / 105C.
Enclosure Protection	IP69K IP67
Shock Resistance	IEC 68-2-27 11ms 30g
Vibration Resistance	IEC 68-2-6 10-55 Hz. 1mm
Cable Type	PVC 6 or 8 core 6mm O.D.
Mounting Bolts	2 x M4 Tightening torque 1.0 Nm
Mounting Position	Any



QC-M12 pin view



Sales Number	Type	Cable Length	Circuits
137001	Hygiecode SMC-F	2M	2NC
137002	Hygiecode SMC-F	5M	2NC
137003	Hygiecode SMC-F	10M	2NC
137004	Hygiecode SMC-F	QC-M12	2NC
137005	Hygiecode SMC-F	2M	2NC 1NO
137006	Hygiecode SMC-F	5M	2NC 1NO
137007	Hygiecode SMC-F	10M	2NC 1NO
137008	Hygiecode SMC-F	QC-M12	2NC 1NO