

HYGIECODE – Coded Non Contact – Type CMC



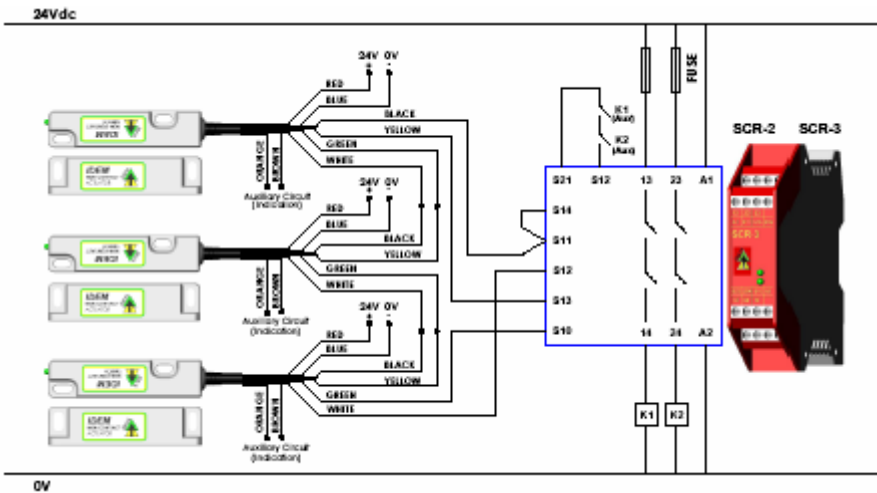
Coded Magnetic Actuation **Switching Tolerance up to 14mm** **Temperatures up to 105C.**
Stainless Steel 316 housing **IP69K**

Specifically designed for Food Processing applications – Stainless Steel 316 Mirror finish
 Suitable for CIP cleaning
 Industry standard slim 20mm wide housing – can be fitted in narrow channels
 Can be high pressure hosed at high temperature – IP69K
 Wide 14mm sensing high tolerance to misalignment.
 LED indication
 Up to: PLe ISO 13849-1 SIL 3 EN 62061 Cat.4 EN 954-1
 2NC 1NO circuits - High switching life – no moving parts

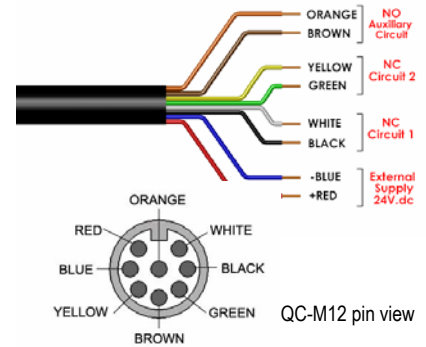
New



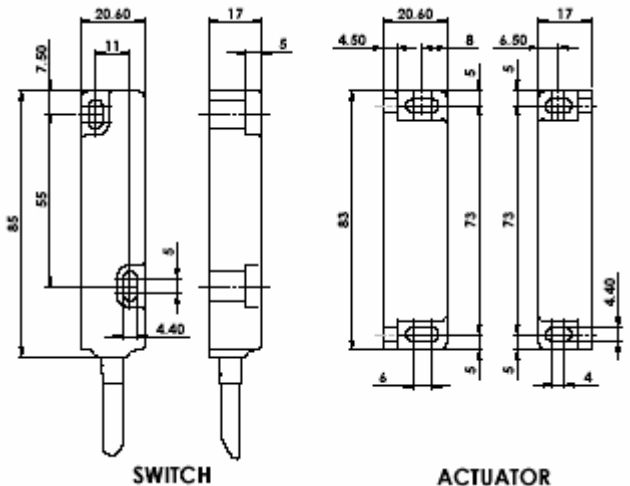
Application example – coded switches



Three switches connected in series to an SCR-2 or SCR-3 to give Dual Channel monitoring with auto start and contactor feedback check. Optional auxiliary circuits provide for remote signalling from each switch.



Standards	EN1088 IEC 947-5-3 EN 60204-1 ISO 13849-1 EN 954-1 UL508
Safety Classification and Reliability Data:	
Switching Reliability	> 3.3 x 10 ⁶ operations at 100mA load up to Category 4 with Safety Relay
EN 954-1	up to PLe depending upon system architecture
ISO 13849-1	up to SIL3 depending upon system architecture
EN 62061	
Safety Data - Annual Usage	8 cycles per hour / 24 hours per day / 365 days
PFHd	> 2.52 x 10 ⁻⁸
Proof Test Interval (Life)	47 years
MTTFd	470 years
Safety Channel 1	NC 24V.dc 0.2 A Max. Rating
Safety Channel 2	NC 24V.dc 0.2 A Max. Rating
Safety Channel 3	NO 24V.dc 0.2 A Max. Rating
Minimum switched current	10V. dc 1mA
Dielectric withstand	250V.ac
Insulation Resistance	100 Mohms
Recommended setting gap	5mm
Switching Distance:	Sao 10mm Close
(Target to target)	Sar 20mm Open
Tolerance to misalignment	5mm in any direction from 5mm setting gap
Switching frequency	1.0 Hz maximum
Approach speed	200mm/m. to 1000mm/s.
Body Material	Stainless Steel 316 Mirror finish
Temperature Range	-25 / 105C.
Enclosure Protection	IP69K IP67
Shock Resistance	IEC 68-2-27 11ms 30g
Vibration Resistance	IEC 68-2-6 10-55 Hz. 1mm
Cable Type	PVC 6 or 8 core 6mm O.D.
Mounting Bolts	2 x M4 Tightening torque 1.0 Nm
Mounting Position	Any



Sales Number	Type	Cable Length	Circuits
138001	Idecode CMC	2M	2NC
138002	Idecode CMC	5M	2NC
138003	Idecode CMC	10M	2NC
138004	Idecode CMC	QC-M12	2NC
138005	Idecode CMC	2M	2NC 1NO
138006	Idecode CMC	5M	2NC 1NO
138007	Idecode CMC	10M	2NC 1NO
138008	Idecode CMC	QC-M12	2NC 1NO