

# HYGIECODE - Coded Non Contact - Type SMC

**Coded Magnetic Actuation**

**Switching Tolerance up to 14mm**

**Specified to 105°**

Will operate with most EN 954-1 Cat.4 Safety Relays

but designed to work up to 125°

**Stainless Steel Housing**

Robust Stainless Steel 316 enclosure designed to survive the tough environments of Food and Pharmaceutical applications.



LED indication.

Survives high pressure hosing at high temperature.

High temperature specification 105C.

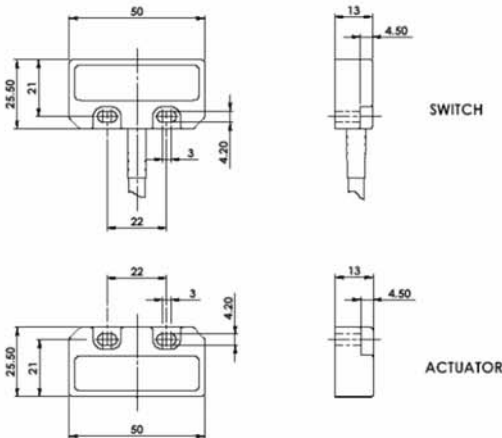
Wide 14mm sensing and high tolerance to misalignment.

Universal fitting - established 22mm fixing footprint suitable for most general applications.

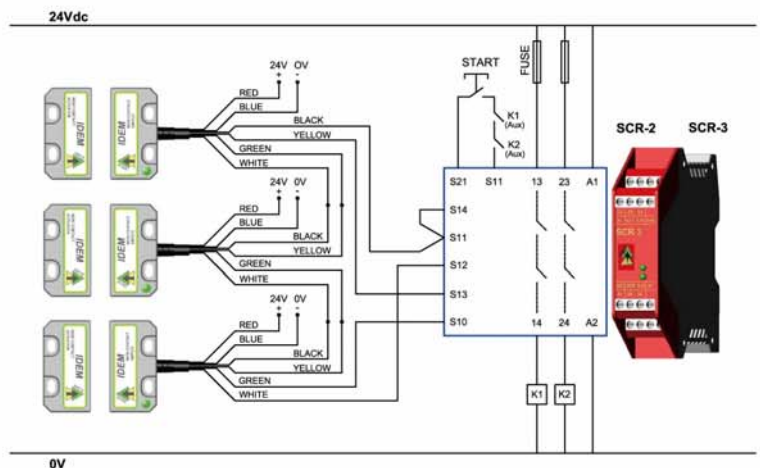
Up to EN 954-1 Cat.4 with safety relay.

2NC 1NO circuits.

Quick connect versions.

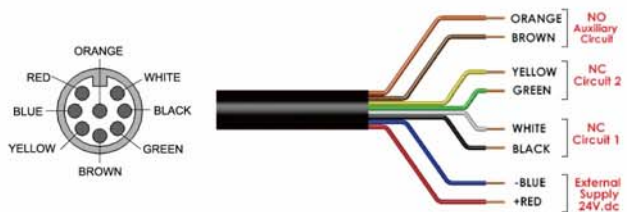


## Application example – coded switches



Three switches connected in series to an SCR-2 or SCR-3 to give Dual Channel monitoring with manual start and contactor feedback check.

Standards	EN1088	IEC 947-5-3	EN 60204-1
	EN 954-1	UL508	
Safety Channel 1	NC	24V.dc 0.2 A	Max. Rating
Safety Channel 2	NC	24V.dc 0.2 A	Max. Rating
Safety Channel 3	NO	24V.dc 0.2 A	Max. Rating
Power supply		24V.dc +/-15%	Max.Consumption 50mA
Minimum switched current		10V. dc	10mA
Insulation Resistance		100 Mohms	
Dielectric withstand		250V.ac	
Recommended setting gap		5mm	
Switching Distance:		Sao 10mm Close	
(Target to target)		Sar 20mm Open	
Tolerance to misalignment		5mm in any direction from 5mm setting gap	
Switching frequency		1.0 Hz maximum	
Approach speed		200mm/m. to 1000mm/s.	
Body Material		Stainless Steel 316	
Temperature Range		-25 / 105C.	
Enclosure Protection		IP67	
Shock Resistance		IEC 68-2-27	11ms 30g
Vibration Resistance		IEC 68-2-6	10-55 Hz. 1mm
Mechanical Life Expectancy		10,000,000	switchings
Electrical Life Expectancy		1,000,000	switchings
		De-rating Safety Factor 2	
		Tested to 2,000,000 cycles at 24V. 0.2A..	
Cable Type		PVC 6 core 6mm O.D. for 2NC	
		8 core 6mm O.D. for 2NC 1NO	
Mounting Bolts		2 x M4 recommended	
		Tightening torque 0.8Nm	
Mounting Position		Any	



Sales Number	Type	Cable Length	Circuits
139001	Hygiecode SMC	2M	2NC
139002	Hygiecode SMC	5M	2NC
139003	Hygiecode SMC	10M	2NC
139004	Hygiecode SMC	QC-M12	2NC
139005	Hygiecode SMC	2M	2NC 1NO
139006	Hygiecode SMC	5M	2NC 1NO
139007	Hygiecode SMC	10M	2NC 1NO
139008	Hygiecode SMC	QC-M12	2NC 1NO