

# IDECODE - Coded Non Contact - Type CPC

**Coded Magnetic Actuation**

**Switching Tolerance up to 14mm**

**Specified to 80°**

**but designed to work up to 100°**

- Slim fitting suitable for all industry applications.
- Easy to install within narrow frame structures.
- Wide 14mm sensing high tolerance to misalignment.
- LED indication
- Up to EN 954-1 Cat.4 with safety relay.
- 2NC 1NO circuits
- Quick connect versions



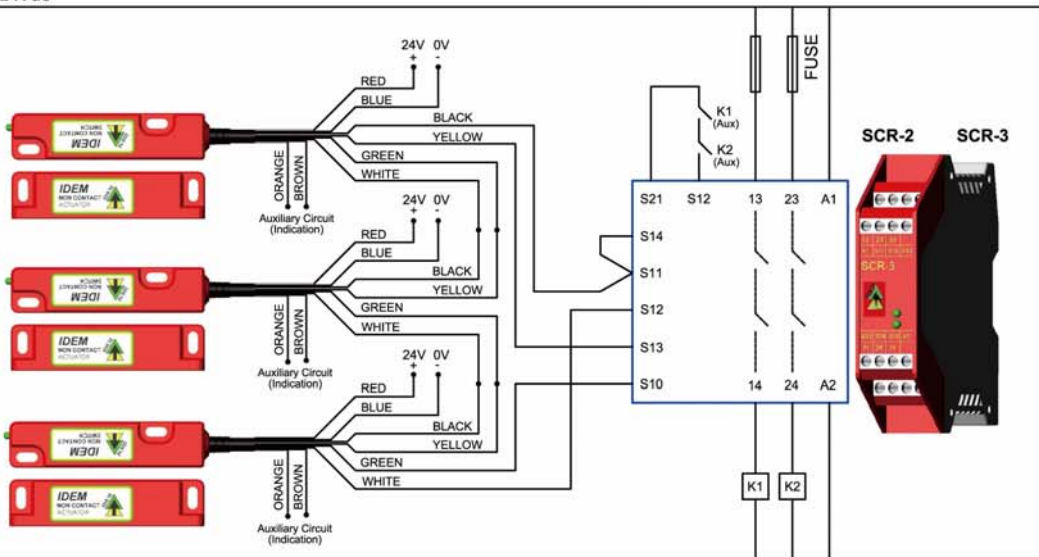
**Plastic Housing**

Will operate with most EN 954-1 Cat.4 Safety Relays



## Application example – coded switches

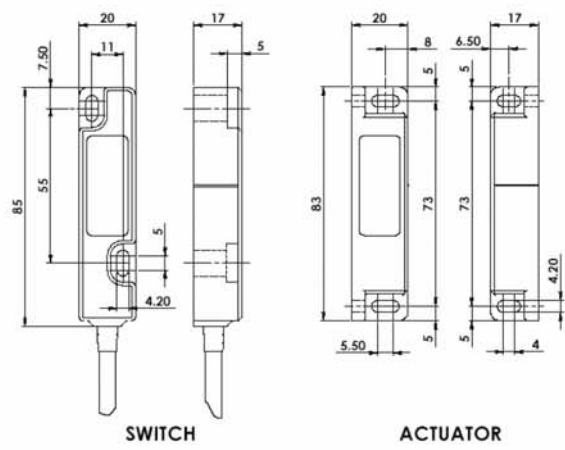
24Vdc



Three switches connected in series to an SCR-2 or SCR-3 to give Dual Channel monitoring with auto start and contactor feedback check. Optional auxiliary circuits provide for remote signalling from each switch.

0V

Standards	EN1088	IEC 947-5-3	EN 60204-1
	EN 954-1	UL508	
Safety Channel 1	NC	24V.dc 0.2 A	Max. Rating
Safety Channel 2	NC	24V.dc 0.2 A	Max. Rating
Safety Channel 3	NO	24V.dc 0.2 A	Max. Rating
Power supply		24V.dc +/- 15%	Max. Consumption 50mA
Minimum switched current		10V. dc 10mA	
Insulation Resistance		100 Mohms	
Dielectric withstand		250V.ac	
Recommended setting gap		5mm	
Switching Distance:		Sao 10mm Close	
(Target to target)		Sar 20mm Open	
Tolerance to misalignment		5mm in any direction from 5mm setting gap	
Switching frequency		1.0 Hz maximum	
Approach speed		200mm/m. to 1000mm/s.	
Body Material		Polyester	
Temperature Range		-25 / 80C.	
Enclosure Protection		IP67	
Shock Resistance		IEC 68-2-27 11ms 30g	
Vibration Resistance		IEC 68-2-6 10-55 Hz. 1mm	
Mechanical Life Expectancy		10,000,000 switchings	
Electrical Life Expectancy		1,000,000 switchings	
		De-rating Safety Factor 2	
		Tested to 2,000,000 cycles at 24V. 0.2A..	
Cable Type		PVC 6 core 6mm O.D. for 2NC	
		8 core 6mm O.D. for 2NC 1NO	
Mounting Bolts		2 x M4 recommended	
		Tightening torque 0.8Nm	
Mounting Position		Any	



Sales Number	Type	Cable Length	Circuits
115001	Idecode CPC	2M	2NC
115002	Idecode CPC	5M	2NC
115003	Idecode CPC	10M	2NC
115004	Idecode CPC	QC-M12	2NC
115005	Idecode CPC	2M	2NC 1NO
115006	Idecode CPC	5M	2NC 1NO
115007	Idecode CPC	10M	2NC 1NO
115008	Idecode CPC	QC-M12	2NC 1NO